



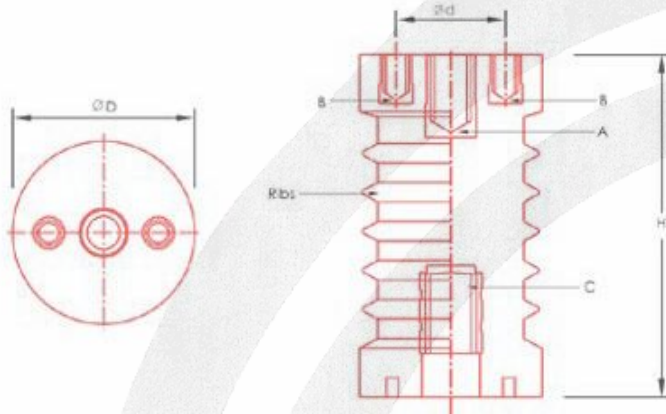
DATA SHEET

INSO-PMHT

STAND-OFF INSULATORS

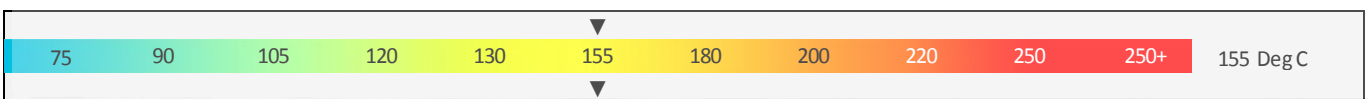
Type - PM (H.T. Insulators)

INSULATORS



- Material : Cast Resin / DMC (Dough Moulding Compound) UL 94 V-0 (Halogen Free)
- All Dimensions are in MM
- Insert : Brass / Mild Steel (Zinc Passivated)
- All Insulators are certified

PRODUCT	VOLTAGE	RIBS	CREEPAGE	Ø D	H	Ø d	A	B	C
MV 4050	3.5 Kv	1	55	60	40	36	M-10 X 20 Lg.	M-08 X 15 Lg.	M-10 X 20 Lg.
MV 6040	3.5 Kv	1	55	60	40	36	M-10 X 15 Lg.	M-08 X 12 Lg.	M-10 X 15 Lg.
MV 606560	5.5 Kv	2	90	60 / 65	60	36	M-12 X 20 Lg.	M-08 X 20 Lg.	M-12 X 20 Lg.
MV 859060	5.5 Kv	2	90	85 / 90	60	60	M-16 X 20 Lg.	M-10 X 20 Lg.	M-16 X 20 Lg.
MV 6075	6.8 Kv	2	112	60	75	36	M-10 X 20 Lg.	M-06 X 15 Lg.	M-12 X 25 Lg.
PDMV 6075	6.8 Kv	2	112	60	75	36	M-10 X 20 Lg.	M-08 X 15 Lg.	M-12 X 25 Lg.
MV 6090	8.5 Kv	3	140	60	90	36	M-10 X 20 Lg.	M-06 X 15 Lg.	M-12 X 25 Lg.
PDMV 6090	8.5 Kv	3	140	60	91	36	M-10 X 20 Lg.	M-08 X 15 Lg.	M-12 X 25 Lg.
MV 9011082	12 Kv	4	209	82 / 90	110	40	—	M-10 X 15 Lg.	M-12 X 20 Lg.
MV 60130	12 Kv	5	200	60	130	36	M-12 X 25 Lg.	M-06 X 15 Lg.	M-16 X 35 Lg.
PDMV 60130	12 Kv	5	200	60	130	36	M-12 X 25 Lg.	M-08 X 15 Lg.	M-16 X 35 Lg.
MV 75130	12 Kv	5	200	75	130	45	M-16 X 35 Lg.	M-10 X 20 Lg.	M-20 X 35 Lg.
MV 75130/2**	12 Kv	5	200	75	130	45	M-12 X 25 Lg.	M-08 X 20 Lg.	A - B**
MV 75130/7	12 Kv	7	256	75	130	45	M-16 X 35 Lg.	M-10 X 20 Lg.	M-20 X 40 Lg.
MV 8614580	16 Kv	7	260	80 / 86	145	40	—	M-10 X 15 Lg.	M-12 X 20 Lg.
MV 70210	22 Kv	9	285	70	210	36	M-10 X 25 Lg.	M-06 X 15 Lg.	M-16 X 55 Lg.
PDMV 70210	22 Kv	9	285	70	210	36	M-10 X 25 Lg.	M-08 X 15 Lg.	M-16 X 55 Lg.
MV 70210/2	22 Kv	9	285	70	210	36	M-12 X 25 Lg.	M-08 X 20 Lg.	A - B**
MV 80300	35 Kv	12	440	80	300	36	M-10 X 25 Lg.	M-06 X 15 Lg.	M-16 X 75 Lg.
PDMV 80300	35 Kv	12	440	80	300	36	M-10 X 25 Lg.	M-08 X 15 Lg.	M-16 X 75 Lg.
MV 95300	35 Kv	12	450	95	300	46	M-16 X 55 Lg.	M-10 X 20 Lg.	M-22 X 75 Lg.



Temperature Rating