



CAPMS

CAPACITORS

Motor Start



CAPACITORS

Design and Construction

- Cylindrical moulded self-extinguishing thermoplastic case, moisture and oil resistant.
- Dielectric consists of impregnated non-polarised aluminium electrolytic, designed for intermittent AC duty.
- Connection is made through double-faston 6.3 x 0.8 mm terminals.
- End caps and mounting brackets available, sold separately.
- 1-phase capacitors. End cap and mounting bracket available.
- Higher voltage rating available on request.
- Alternate design includes the following:
 - Soldering terminal
 - Stud-mounted
 - Discharge resistor

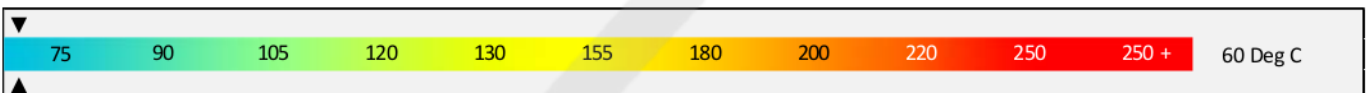
Applications

Suitable for Motor-Start. Designed for starting fractional horsepower, 1-phase electric motor, as well as in geared motor applications.

Typically found in applications such as motors, pumps, compressors, whitegoods and office machinery.

Specifications

Properties	Results
Rated Line Voltage	125V – 330V Standard Duty (1-phase)
Rated Frequency	50Hz / 60Hz
Rated Capacitance	30µF - 516µF
Tolerance	± 10%
Temperature Class	-20°C ~ +60°C
Standards Conformance	EN60252 , IEC60252



Temperature Rating

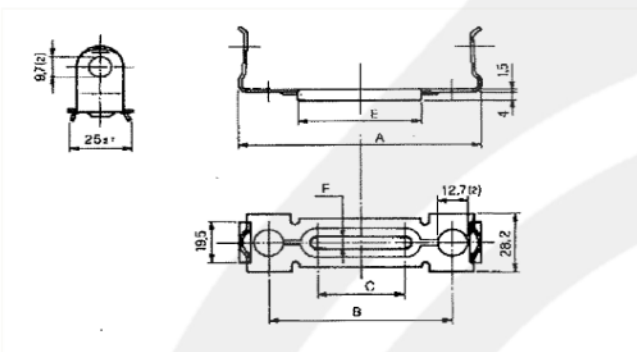


DATA SHEET

CAPMS

CAPACITORS - ACCESSORIES

Motor Start Mounting Brackets & End Caps



CAPACITORS

Mounting Brackets

Part Number	Case Dims D X H mm	Dims (mm)				
		A	B	C	E	F
CAPMS-MB1	36.5 x 68.5	88.2	31.6	22.3	37.3	2.5
CAPMS-MB2	45.5 x 84.0	104.4	39.5	38.1	53.2	5.9
CAPMS-MB3	52.0 x 105.0	129.4	52.1	38.1	53.2	5.9

End Caps

Part Number	Case Dims D X H mm	Dims (mm)	Dims (mm)
		D	h
CAPMS-EC1	36.5 x 68.5	88.2	31.6
CAPMS-EC2	45.5 x 84.0	104.4	39.5
CAPMS-EC3	52.0 x 105.0	129.4	52.1

